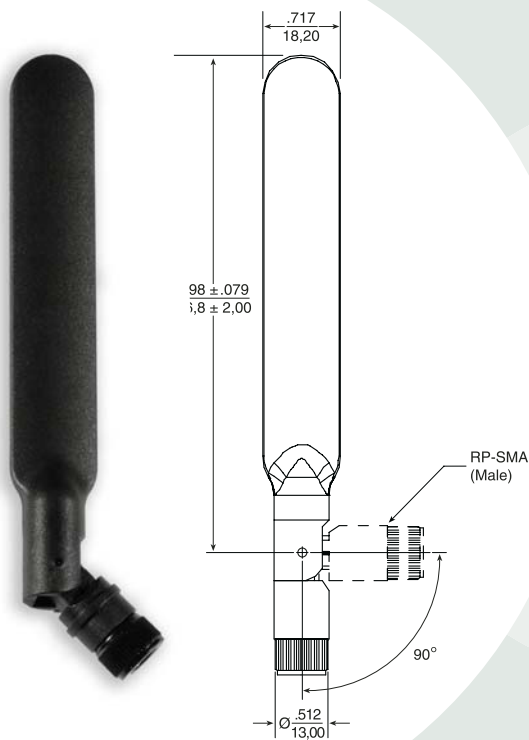


Wireless External Dual-Band Antenna for 2.4 GHz & 5.0 GHz Applications

Pulse Part Number: W1043



Features

- Dual-band, blade style antenna
- For WLAN devices using WiFi (802.11a/b/g), Bluetooth® and ZigBee™
- Omni-directional radiation pattern provides broad 360° coverage
- One-quarter wavelength dipole configuration
- Connection and color options easily integrate with OEM designs

Color Options

- Black*
- Gray (Pantone cool gray 8C)

Connector Options

- Reverse SMA (Male)*
- SMA (Male)

* Default Configuration – Please contact Pulse Applications Engineering for assistance in ordering colors and connectors

Weight.....18.0 grams
 Carton.....20/bag; 500/carton

Dimensions: $\frac{\text{Inches}}{\text{mm}}$

Unless otherwise specified, all tolerances are $\pm \frac{.010}{0.25}$

Electrical Specifications @ 25 °C

Note: This part number is lead-free and RoHS compliant. No additional suffix or identifier is required.

Antenna Part No.	Frequency [GHz]	Gain [dBi]	Impedance [Nom]	VSWR	Polarization	Electrical Length	Radiation	Color
W1043	2.4 & 5.0	2.0	50 Ω	≤ 2.0	Vertical	1/4, dipole	Omni	Black

Pulse Antennas

Takatie 6
 90440 Kempele
 Finland
 Tel: +358 207 935 500
www.pulseeng.com/antennas

External Antennas

Sales Contacts

USA 858 674 8100
 UK 44 1483 401 700
 France 33 3 84 35 04 04
 Singapore 65 6287 8998

Shanghai 86 21 32181071
 China 86 769 5538070
 Taiwan 886 2 26980228



Wireless External Dual-Band Antenna for 2.4 GHz & 5.0 GHz Applications

Pulse Part Number: W1043

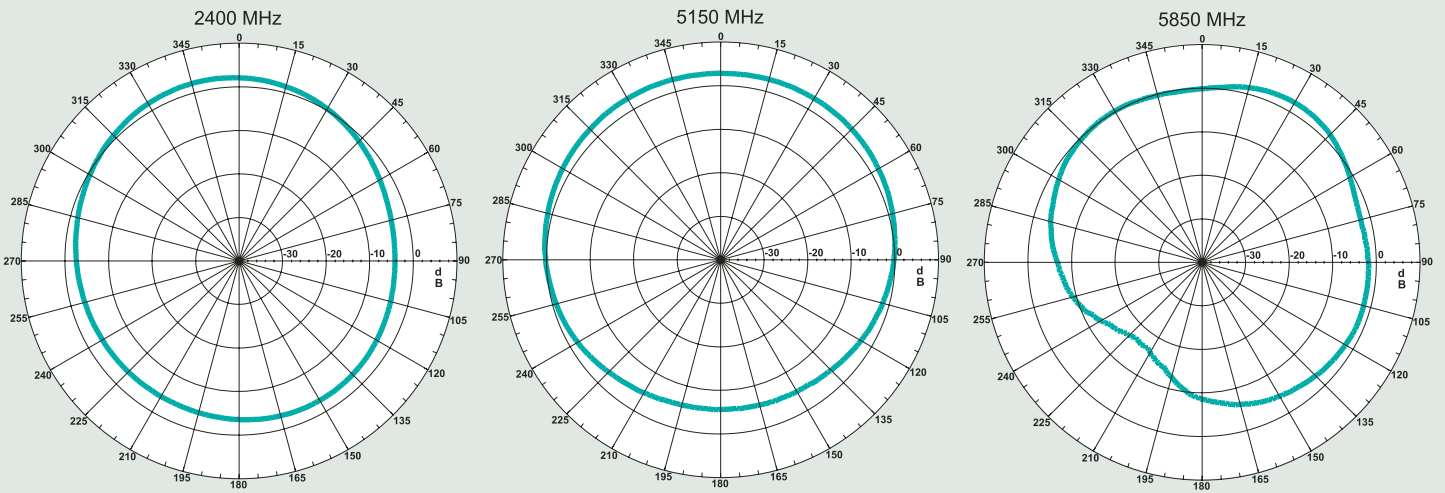
Application Notes

Omni-directional antennas provide a uniform, donut-shaped, 360° radiation pattern. The omni-directional pattern is suitable for point-to-multipoint broadcasting in all directions. This antenna is primarily used for WLAN

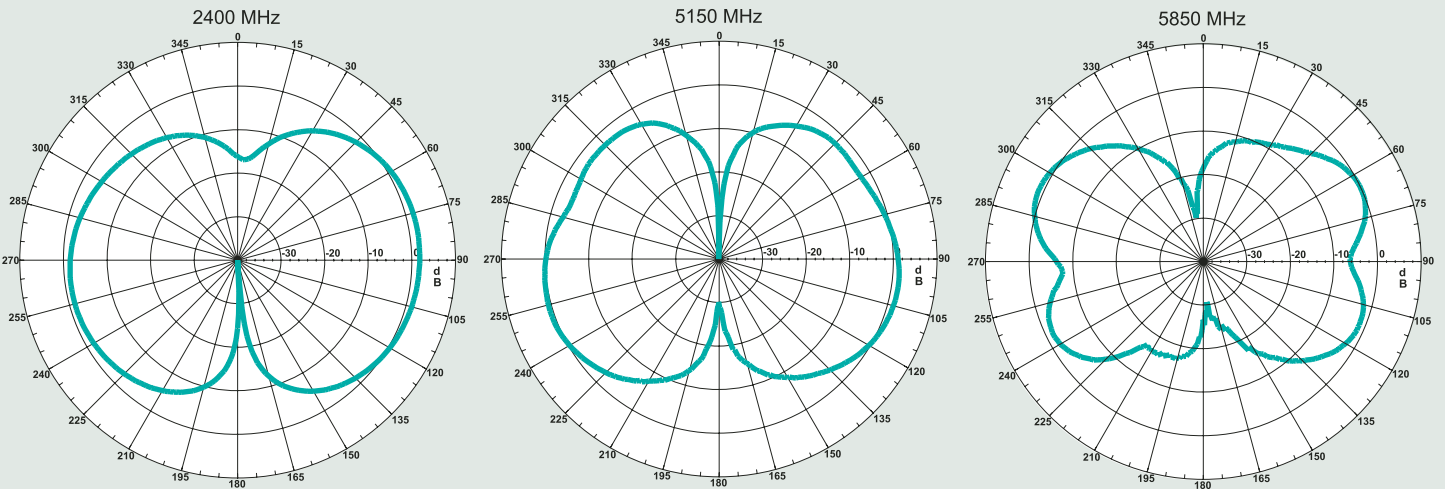
applications. However, it can also be used for a variety of other applications within the specified frequency range. When used as an access point, the antenna is ideally located at the center of the coverage area.

Gain Performance W1043

Horizontal Position



Vertical Position



Pulse Antennas

Takatie 6

90440 Kempele

Finland

Tel: +358 207 935 500

www.pulseeng.com/antennas

External Antennas

Sales Contacts

USA 858 674 8100

UK 44 1483 401 700

France 33 3 84 35 04 04

Singapore 65 6287 8998

Shanghai 86 21 32181071

China 86 769 5538070

Taiwan 886 2 26980228

